



BOMAC is committed designing manufacturing construction machinery. products include : Wheel excavator series, heavy duty forklift series. Mature design, main parts of gearbox, axle, high quality.

Heavy duty forklift, we have many years experience in design and manufacture of them, advanced technology. Products are widely used in logistics, stone processing, port terminals etc. Already exported them to many foreign countries.

The company has always been customer focused, pioneering and innovative, produce excellent products and provide good services customers.



**INDOTARA**

[www.indotara.co.id](http://www.indotara.co.id)

**Jakarta - Head Office**

Graha Kencana Building  
Lt. 10 Suite 10F  
Jl. Raya Perjuangan No. 88  
Kebon Jeruk, Jakarta Barat 11530  
Phone : 021 - 5020 3030  
Email : [sales@indotara.co.id](mailto:sales@indotara.co.id)

**Bandung Office**

Wisma HSBC  
Lt. 6 Suite B  
Jalan Asia Afrika No.116,  
Kota Bandung, Jawa Barat 40112  
Phone : 022 - 310 30 800  
Email : [sales-bdg@indotara.co.id](mailto:sales-bdg@indotara.co.id)

**Surabaya Office**

Bumi Mandiri Tower I  
Lantai 10 Suite 1008  
Jl. Jend.Basuki Rachmat 129-137,  
Surabaya 60271  
Phone : 031 - 3313 3333  
Email : [sales-sby@indotara.co.id](mailto:sales-sby@indotara.co.id)

**Medan Office**

Kompleks MMTc WAREHOUSE  
Blok C-7  
Jl. Pasar V, Pancing,  
Medan, Sumut 20371  
Phone : 061 - 50 300 600  
Email : [sales-mdn@indotara.co.id](mailto:sales-mdn@indotara.co.id)

**EXTRA WORK,  
EXTRA STRONG**



BREAKTHROUGH



INNOVATION



GROWTH

# **BOMAC**

OUR SPECIALITY  
PROMOTE YOUR CAREER

**EXTRA WORK,  
EXTRA STRONG**





BREAKTHROUGH



INNOVATION



GROWTH

# **BOMAC**

OUR SPECIALITY PROMOTE YOUR CAREER



**EXTRA WORK,  
EXTRA STRONG**



BREAKTHROUGH



INNOVATION



GROWTH

# **BOMAC**

OUR SPECIALITY PROMOTE YOUR CAREER



**EXTRA WORK,  
EXTRA STRONG**



BREAKTHROUGH



INNOVATION



GROWTH

# **BOMAC**

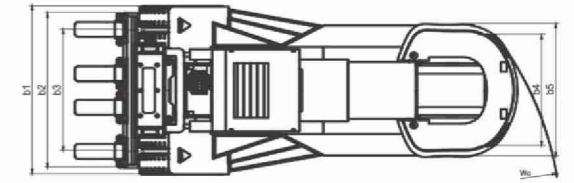
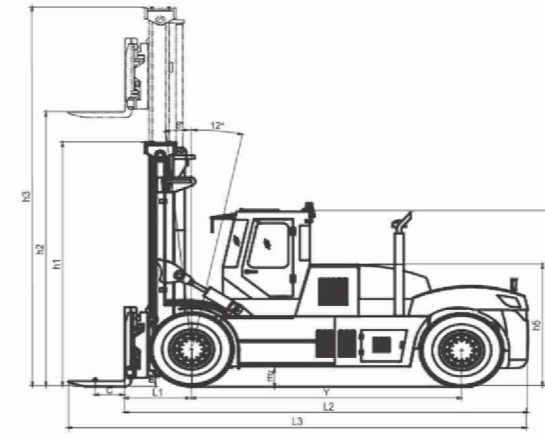
OUR SPECIALITY PROMOTE YOUR CAREER



**EXTRA WORK,  
EXTRA STRONG**



**EXTRA WORK,  
EXTRA STRONG**



Item	Project Content	Unit	Technical Parameter						
			RDF120	RDF135	RDF160	RDF200	RDF250	RDF300	RDF350
	Rated Load	Q(Kg)	12000	13500	16000	20000	25000	30000	35000
	Load Center	c(mm)	600	600	900	900	1200	1250	1250
	Wheelbase	y(mm)	2950	3300	3600	4050	4400	4800	4800
Weight	Weight	kg	16000	23500	21000	25000	33500	38000	42000
Chassis	Tire Specs:Front		11.00-20-18PR	12.00-20-20PR	12.00-24-20PR	14.00-24-20PR	14.00-24-28PR	14.00-24-32PR	16.00-25-32PR
	Tire Specs:Rear		10.00-20-18PR	11.00-20-18PR	12.00-20-18PR	12.00-20-20PR	14.00-24-28PR	14.00-24-32PR	16.00-25-32PR
	Tires Qty, Front/Rear (X-dreuve wheels)		4/2	4/2	4/2	4/2	4/2	4/2	4/2
	Wheel Tread : Front	b3(mm)	1630	1740	1850	1850	2200	2330	2430
	Wheel Tread:Rear	b4(mm)	1780	1900	2130	2130	2170	2140	2240
Dimensions	Mast/carriage tilt angle(front/rear)	Degree(° )	6/12	6/12	6/12	6/12	6/12	6/12	6/12
	Mast height (Fork Lowering)	h1(mm)	2940	3050	3460	3480	3960	3960	4010
	Mast lifting height	h2(mm)	3000	3000	3500	3500	4000	4000	4000
	Max.height	h3(mm)	4440	4550	5180	5200	5930	5930	5980
	Height to head guard (height to cab)	h4(mm)	2700	2790	3365	3300	3690	3690	3770
	Overall height (with forks)	L3(mm)	6130	6635	7200	8000	9010	9640	9640
	Fork front vertical suseface to the rear end of the vehicle	L2(mm)	4530	5035	5180	6000	6610	7240	7240
	Overall Width	b1(mm)	2230	2420	2550	2550	3060	3200	3360
	Fork dimension	(mm)	1600*180*90	1600*180*90	1800*200*90	2200*220*100	2400*300*110	2400*300*120	2400*300*120
	Fork carriage width	b2(mm)	2080	2230	2500	2500	2800	2800	3000
	Mast min ground (with load)	m1(mm)	300	320	270	270	350	350	400
	Wheelbase center min ground (with load)	m2(mm)	350	360	310	350	420	420	460
	Min.turning radius	Wa(mm)	4350	4800	5050	5600	6160	6480	6600
	Travel speed (with load/without load)	km/h	23/28	23/28	22/30	26/30	25/30	24/28	25/28
	Performance	Max.lifting speed (with load/without load)	mm/s	220/280	220/280	240/300	260/270	260/270	260/280
Max.lowering speed (with loas/without load)		mm/s	400/300	400/300	430/300	380/260	380/260	250/180	250/180
Traction		KN	100	110	120	140	180	200	220
Gradeability (with load/without load)		%	20/22	20/22	20/22	20/22	20/22	20/22	20/20
Engine	Engine Brand/Model		CUMMINS Engine	CUMMINS Engine	CUMMINS Engine	CUMMINS Engine	CUMMINS Engine	CUMMINS Engine	CUMMINS Engine
			6BTAA5.9-C130	6BTAA5.9-C190	6BTAA5.9-C190	6CTA8.3-C240	6CTA8.3-C240	6CTA8.3-C260	6CTA8.3-C260
	Cylinder No		6	6	6	6	6	6	6
Other	Transmission gears (front/rear)		2/2	2/2	2/1	2/1	2/1	2/1	2/1